



IMPORTANT: Please take the time to read through the ENTIRE instructions prior to starting any work. Light Pipe material is very sharp when cut. Please use extreme caution when handling. **AVOID LEAVING THE PIPE EXPOSED TO THE SUN WITHOUT THE PROTECTIVE COATING OR DIFFUSERS IN PLACE PRIOR TO INSTALLATION.**

TOOLS/MATERIALS NEEDED

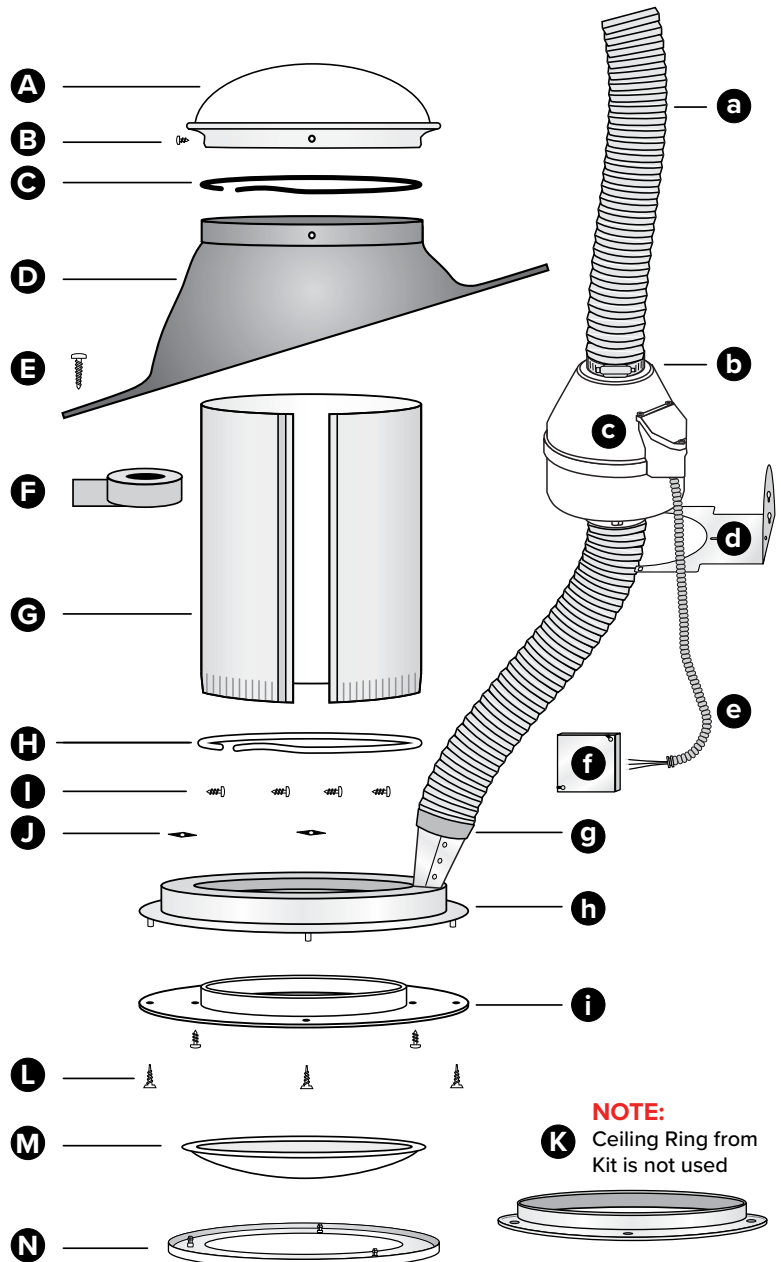
- | | |
|------------------|------------------------|
| ■ Caulk | ■ Measuring Tape |
| ■ Caulking Gun | ■ Phillips Screwdriver |
| ■ Driver & Bits | ■ Reciprocating Saw |
| ■ Drywall Saw | ■ Safety Goggles |
| ■ Flashlight | ■ Stud Finder |
| ■ Gloves | ■ Tin Snips |
| ■ Hammer | ■ Utility Knife |
| ■ Marking Pencil | ■ Wire |

PRECAUTIONS:

1. Ensure normal safety precautions are taken when using tools, ladder and walking on roofs.
2. Do not cut any structural members in the house.
3. Install only in dry weather.

TUBULAR SKYLIGHT KIT PARTS

- A. Clear UV Protected, High Impact Acrylic Dome
- B. (4) Phillips Head ¼" Self-Tapping Screws
- C. Black Nylon Horse Hair Gasket (self-adhesive)
- D. Aluminum Flashing - Pitched or Flat
- E. (6) 1 ½" Phillips Head Stainless Steel Screws
- F. Heavy Duty Foil Tape
- G. (2) 24" Light Pipe Sections
- H. White Nylon Horse Hair Gasket (self-adhesive)
- I. (8) Phillips Head ½" Self-Tapping Screws
- J. (3) Black Speed Nuts
- K. Ceiling Ring **NOTE: NOT USED**
- L. (3) 1 ½" Flat Head Phillips Screws
- M. High Impact Acrylic Diffuser
- N. White Powder Coated Aluminum Trim Ring



VENT KIT PARTS (sold separately)

- a. 4" Diameter Flexible Vent Duct - 8 feet
- b. (2) 4" Stainless Steel Straps
- c. RV Series Ventilation Fan - 125 cfms
- d. Noise Reducing Mounting Bracket and Hardware
- e. Electric Conduit - 6 feet
- f. Junction Box and Hardware
- g. Heavy Duty Foil Tape
- h. Ceiling Exhaust Aluminum Cowling
- i. Powder Coated White Intake Ring

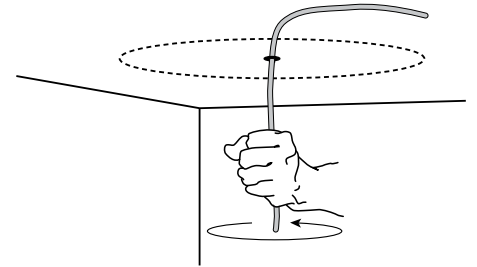
NOTE:
K Ceiling Ring from Kit is not used

IMPORTANT INSTALLATION POINTERS – PLEASE READ BEFORE BEGINNING:

1. It is critical to plan the placement of the tubular skylight so that hole cut on roof and ceiling trim ring are aligned. Ensure that hole on roof is between framing trusses. **DO NOT CUT ANY STRUCTURAL FRAMING.**
2. When determining the location of the unit, southern exposure is recommended. Also consider potential problems such as objects shading the unit during certain times of the day.
3. Although adjustable elbows are available, straight light pipe runs result in higher light output and easier installation.
4. Prior to starting the job, **CUT PACKING STRAPS ON THE LIGHT PIPE AND UNCOIL THE TUBES.**
5. It's highly critical to check for obstructions above the ceiling which may hinder installation. If possible, visually check to ensure that there are no electrical wires or other obstructions where you plan to install the skylight. If you cannot check visually, use a piece of wire as outlined in Step 1.

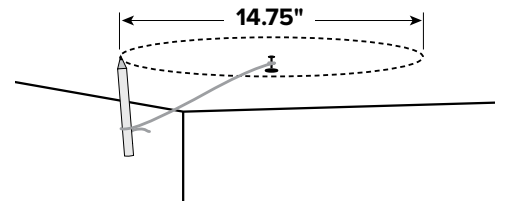
STEP 1

Find the desired location for the ceiling trim ring and ensure that there are no obstructions in the attic space between the roof and ceiling. With a stud finder locate the ceiling joists and center the ceiling ring between joists as close to the desired installation area as possible. If you cannot check visually for obstructions, mark the center of the ceiling ring, drill a hole and insert piece of wire bent at a 90 degree angle. Rotate the wire around 360 degrees. While rotating, feel for resistance that could indicate wire runs or other obstructions.



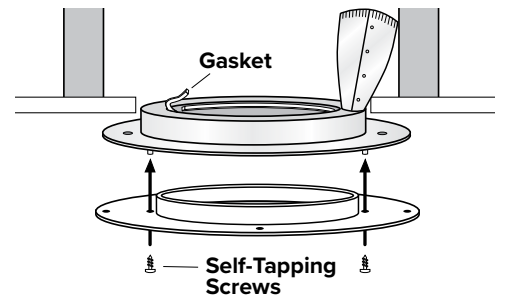
STEP 2

If there are no obstructions, tap a nail to the center of the location where the unit will be installed. Attach a string to the end of the nail and to a pencil measuring 7.375". Scribe a circle on the ceiling and using a drywall saw, cut out a 14.75" circle.



STEP 3

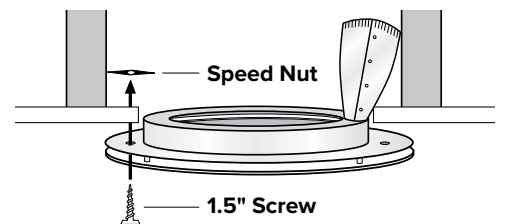
Peel the protective covering off the white horse hair gasket (**H**) and apply gasket to the INNER lip of the ceiling cowling (**h**). This gasket ensures a dust free fit between the light pipe and the ceiling cowling. Secure the white intake ring (**i**) to the ceiling cowling using (2) self-tapping screws (**l**) as shown.



IMPORTANT: The raw aluminum ceiling ring from the 10" Tubular Skylight Kit is extra and is not used in this installation.

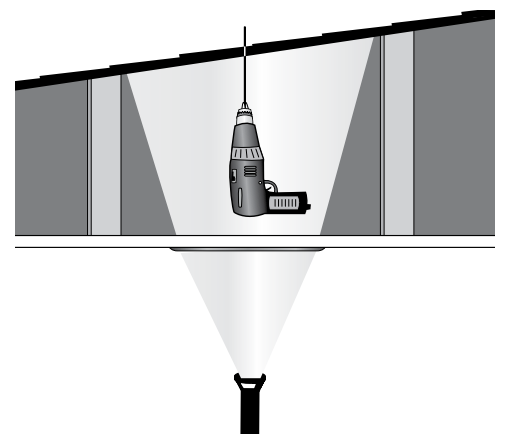
STEP 4

Secure the ceiling cowling/intake assembly to the ceiling by inserting a 1 1/2" flathead Phillips screw (**L**) into one of the three pre-drilled holes and screwing it up through the drywall into the speed nut (**J**) provided. Repeat this process for all three screws.



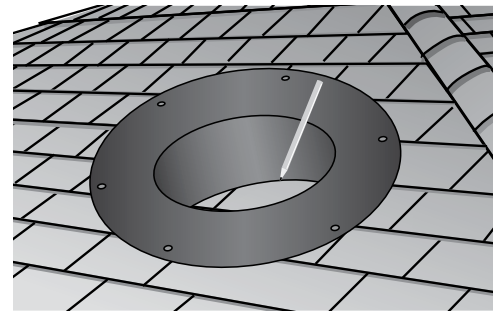
STEP 5

For the roof cutout, place a step ladder under the ceiling ring hole and place a flashlight on top of the ladder. The resulting flashlight beam will mark the location for the centering hole of the flashing unit on the roof. With a drill bit and appropriate extension rods, drill a pilot hole in the marked location on the bottom side of the roof. If there is access to the attic space, a plumb bob may also be used.



STEP 6

On the roof, locate the centering hole drilled in Step 5. Outline the diameter of the hole that the pipe will pass through by turning the flashing (D) upside down and marking the **INSIDE** lip of the flashing unit as shown.

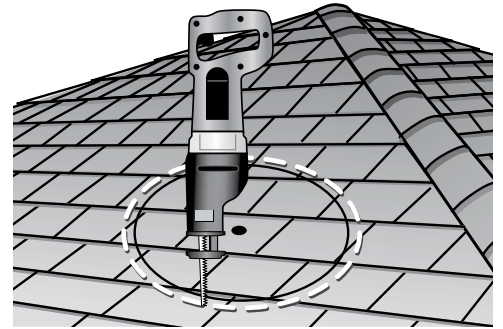


STEP 7

With a reciprocating saw, cut the diameter of the hole a **MINIMUM OF 1" LARGER** than the area marked in previous step.

NOTE: A larger hole can be cut to accommodate angled pipe installations.

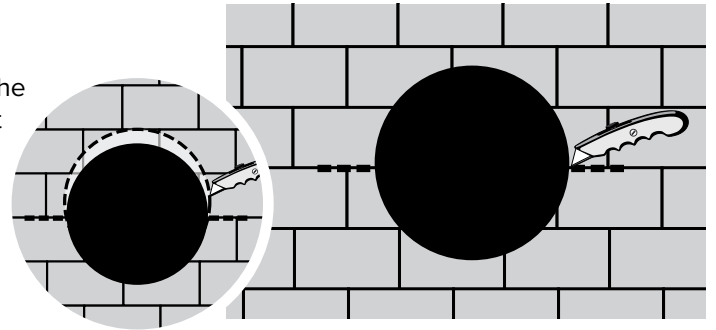
IMPORTANT: The light pipe must pass between the roof rafters. **DO NOT CUT THROUGH ANY FRAMING MEMBER.**



STEP 8

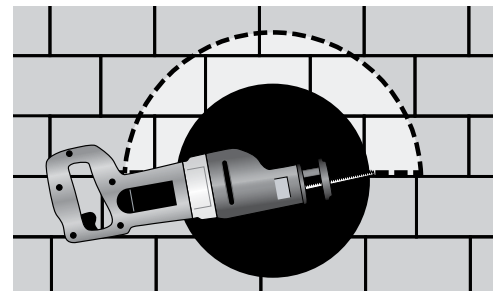
With a utility knife, cut a 4" slit through the shingles and tar paper at the 3 and 9 o'clock positions of the flashing. This allows for the footprint of the flashing to be inserted under the shingles.

NOTE: Additional shingles may also need to be removed on the high side towards the ridge to allow the flashing to slide over the hole (see inset).



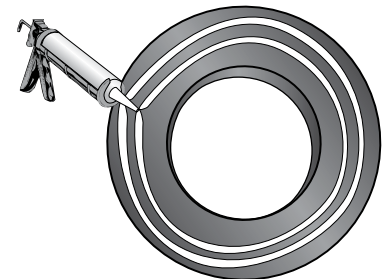
STEP 9

Insert the reciprocating saw blade sideways at the 3 o'clock position and start cutting the roofing nails up and around to the 9 o'clock position. This process removes nails that prevent flashing footprint from sliding up underneath shingles.



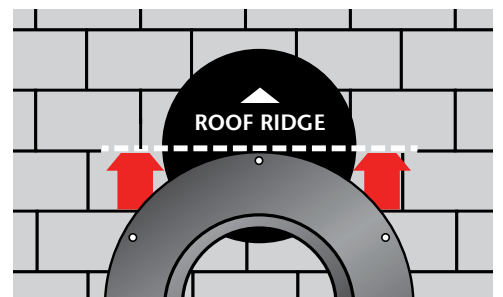
STEP 10

Caulk the underside of the flashing (D) with caulk. Two concentric rings of caulking material is sufficient.



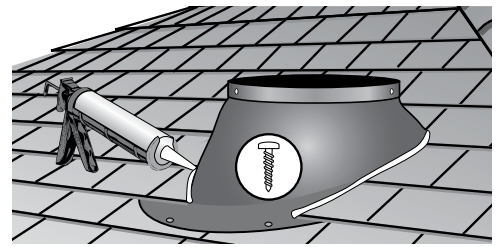
STEP 11

Taking care not to smear caulk on the exposed shingles, slide the flashing under the tar paper and shingles and force flashing up until the shingles come in contact with the raised portion of the flashing. The bottom side of the flashing will be on top of the shingles.



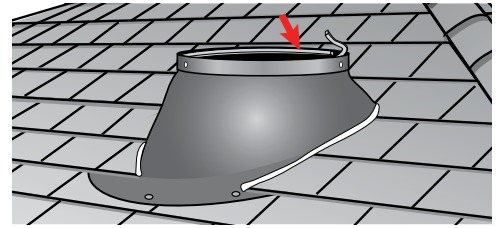
STEP 12

Secure flashing to the roof with the Phillips head 1 ½" screws (E) provided. Evenly space the screws around the lip of the flashing. Apply caulk over all exposed screw heads (since they will be exposed to the weather). Use the remaining caulk to seal the areas where the 4" slits were made in Step 8 and around where the shingles meet with the raised area of the flashing.



STEP 13

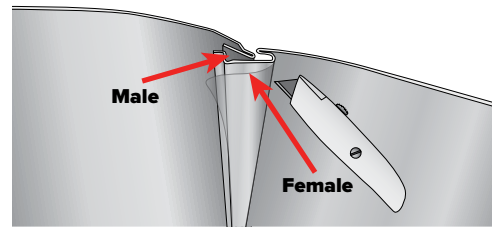
Peel the protective backing off the black horse hair gasket (C) and apply the gasket on the INNER lip of the flashing collar.



STEP 14

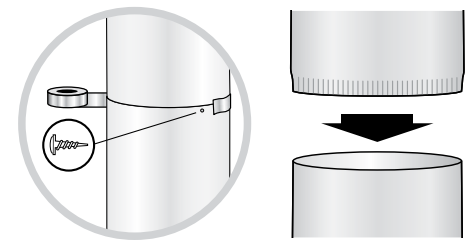
Using a utility knife, score the protective film by cutting along the outside of the channel of the light pipe. Then peel off all of the protective plastic film from all areas of the light pipe (G). To assemble the light tube, insert the light pipe into the channel so that it forms a round tube. After insertion, pull both sides back to ensure the pipe is locked into place.

IMPORTANT: All of the plastic must be removed to avoid having the color of the plastic reflecting through the diffuser.



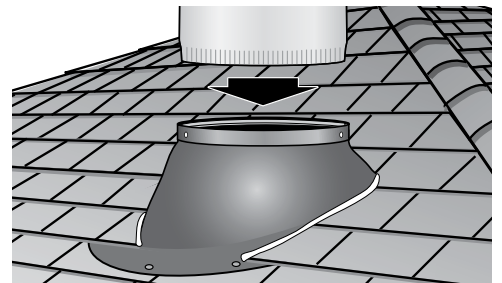
STEP 15

Join the two light pipe sections (G) together by placing the crimped end of one of the sections into the non-crimped end on the other section. Secure with (2) ½" sheet metal screws (I) and seal joints with heavy-duty foil tape (F).



STEP 16

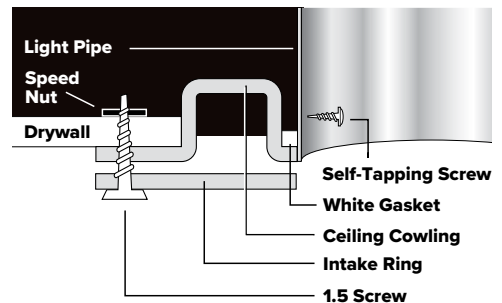
Insert the light pipe (G) through the the flashing (D) with **CRIMPED END DOWN** and gently rock pipe back and forth with slight downward pressure. Slide the pipe down until it terminates evenly with the inner collar of the ceiling cowling (h).



STEP 17

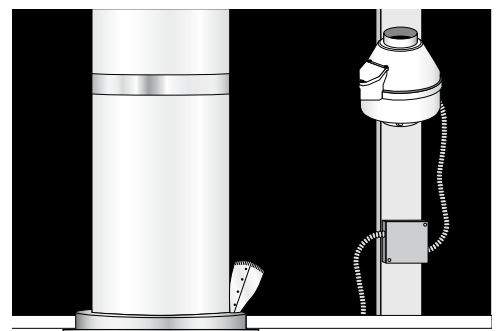
Back inside, secure bottom of light pipe to ceiling ring with (4) self-tapping screws (I). If there's any excess light pipe, trim with tin snips.

CAUTION: The light pipe is extremely sharp, handle with care and wear gloves.



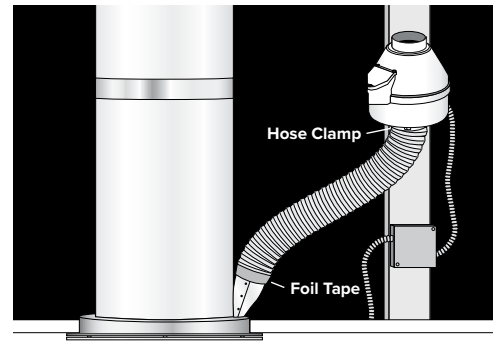
STEP 18

Install the fan motor in a suitable location as far away from the ceiling assembly as possible (approximately 3 to 4 feet) using the supplied noise reducing mounting bracket (d). Wire the fan motor according to your local or national electrical codes (see complete instructions inside the motor box).



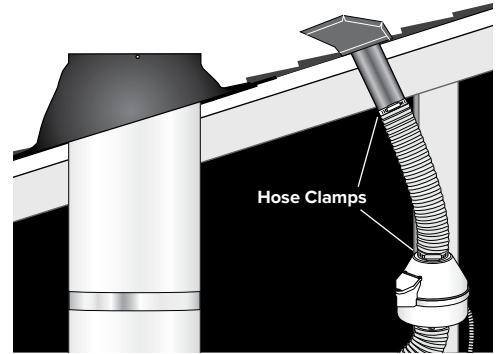
STEP 19

Install the 4" foil ducting (a) from the exhaust tube coming off the cowling to the bottom of the fan motor housing (c). Secure to the motor using 4" hose strap (b). Using the supplied foil tape (g), secure the other end to the round exhaust tube coming off the cowling.



STEP 20

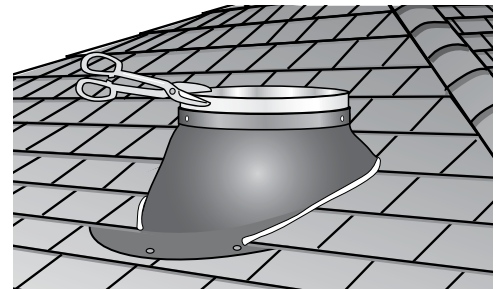
Install the 4" foil ducting (a) from the fan motor output to a suitable location on the roof or side wall mounting. Any existing roof vent port is OK. Clamp to top of motor housing using the other 4" hose strap (b).



STEP 21

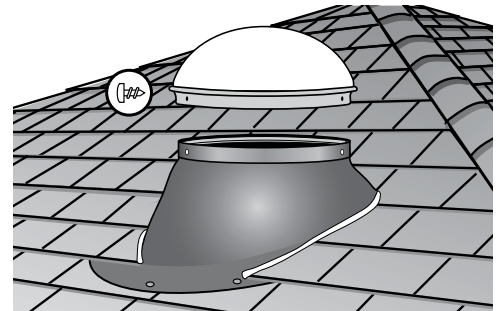
Back on the roof, if there is excess pipe sticking out of the flashing, using tin snips, cut from the top down to the lip of the flashing and trim off the excess pipe.

CAUTION: The light pipe is extremely sharp, handle with care and wear gloves.



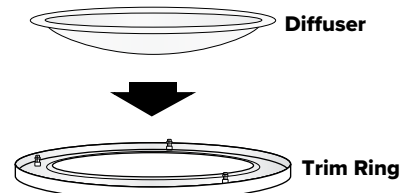
STEP 22

Place dome (A) on top of the flashing unit. Secure dome to flashing by screwing in the (4) self-tapping Phillips head 1/4" (B) screws provided into the pre-drilled holes in the dome collar.



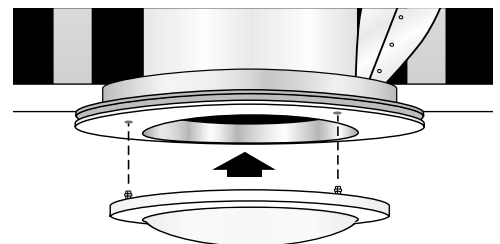
STEP 23

Place the diffuser (M) into the white powder coated trim ring (N).



STEP 24

Line up the three steel pins of the white ceiling trim ring (N) (four pins on the 18" model) with the holes on the ceiling ring (i). Push up to snap in place.





Tubular Skylight Lifetime Limited Warranty

Natural Light Energy Systems (hereinafter NLES) warrants any tubular skylight manufactured by NLES to be free from defects in materials and workmanship to the original residential purchaser (hereinafter CONSUMER) from the date of purchase. All aspects of the Warranty are subject to the following limitations, terms and conditions.

1. DURATION OF WARRANTY

If a NLES tubular skylight (hereinafter "Equipment") is determined to have a defect in material or workmanship, NLES will, at its sole discretion, repair or replace the defective part at NO CHARGE to the CONSUMER, (excluding labor, and applicable shipping and handling costs) for the duration of the CONSUMER'S ownership of the original equipment (hereinafter "LIFETIME").

2. LIMITATIONS OF COVERAGE

This Warranty extends only to the CONSUMER for damage resulting from defects in materials and workmanship, it does not extend to damage caused by the CONSUMER'S neglect or abuse, or by accident, to damage caused by wind, hail or abnormal weather conditions, or to damage caused by acts of God, civil insurrection or extraordinary circumstances which are beyond the control of NLES.

NLES shall not be liable for any direct or indirect damage resulting from the use of the Equipment, and in no event shall the extent of the Warranty coverage exceed the purchase price of the Equipment.

NLES assumes no liability for the determination of the proper equipment necessary to meet a CONSUMER'S requirements, nor does it authorize others to assume such obligations on its behalf.

3. MISCELLANEOUS

In order to be considered for validation, all claims for Warranty coverage must be accompanied by a copy of the purchase agreement indicating the date of initial installation, NLES reserves the right to inspect the tubular skylight prior to honoring any Warranty claim.

This Warranty gives you specific legal rights, and you may have other rights which may vary from state to state. Any and all inquiries or claims under this Warranty must be submitted in writing to **Natural Light Energy Systems, Attn: Warranty Department, 10821 N. 23rd Avenue, Phoenix, AZ 85029** or by e-mail to info@nltubular.com.



To register your Tubular Skylight, please visit
www.nltubular.com/warranty-registration.html



REGISTER NOW